

# TILE LOCK CLIPS

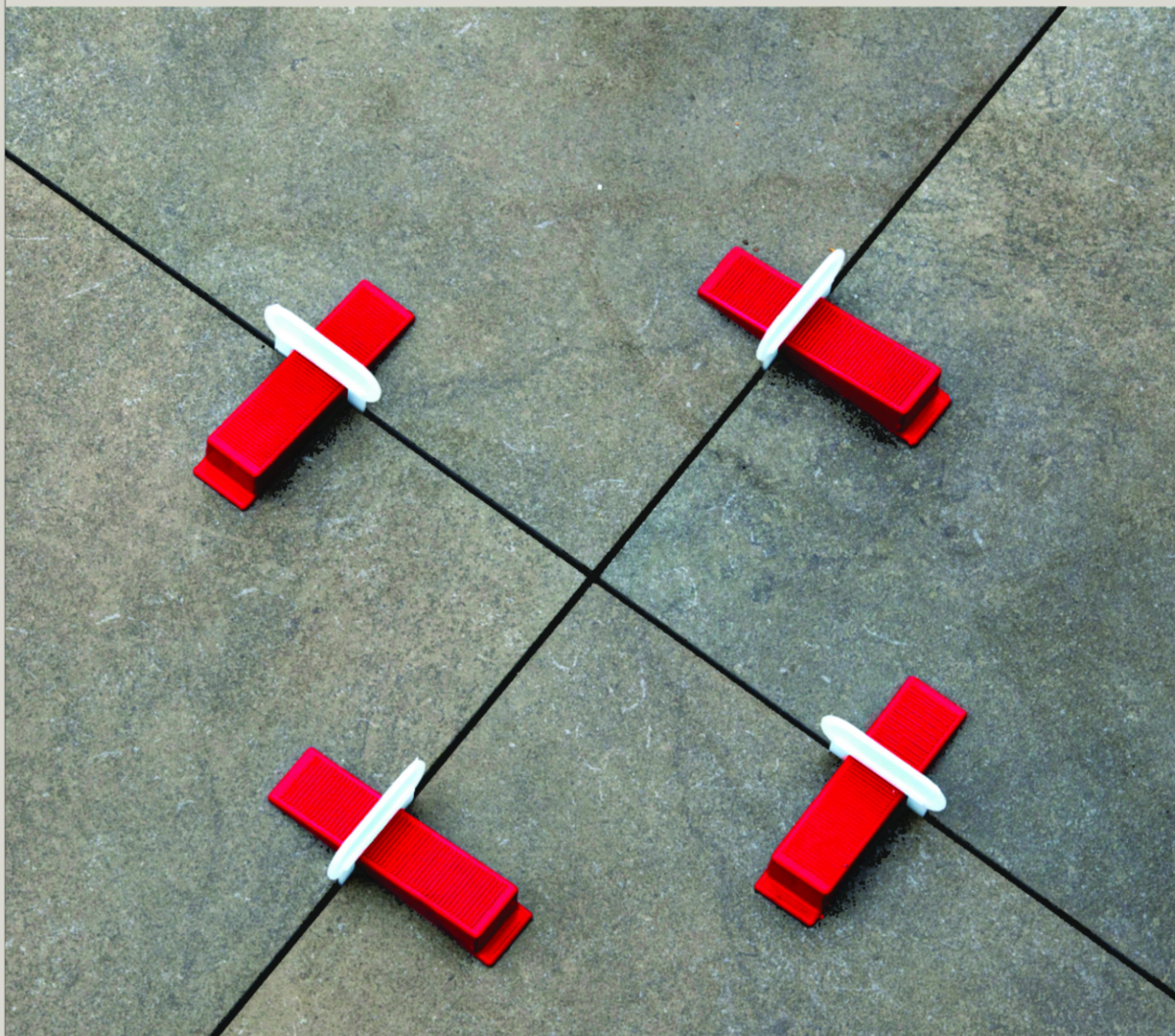
PLIERS FREE



TILE LOCK<sup>®</sup>  
FOR PROFESSIONALS

PATENTED SMOOTH FINISH. FOR A BETTER WORLD.

CANADIAN DESIGN  
[WWW.TLPRO.CO](http://WWW.TLPRO.CO)



**TILE LOCK** IS A REVOLUTION IN THE TILE SETTING. WHILE IT ENSURES THE PROPER LEVELING OF TILES, THIS SYSTEM HELPS TO SPEED UP THE TILE SETTING PROCESS. CAN BE USED BY HAND OR WITH PLIERS. INSTALLATION IS UP TO 3X FASTER.

[WWW.TLPRO.CO](http://WWW.TLPRO.CO)

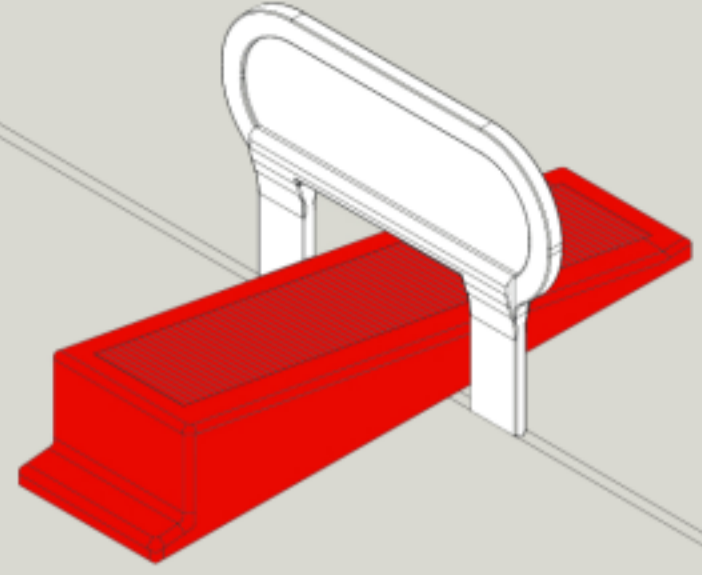


# TILE LOCK LEVELING SYSTEM

## EXTREMELY EASY TO INSTALL

FOR TILES FROM 3MM UP TO 12MM THICKNESS. SPACE BETWEEN THE TILES OF 1.5MM.

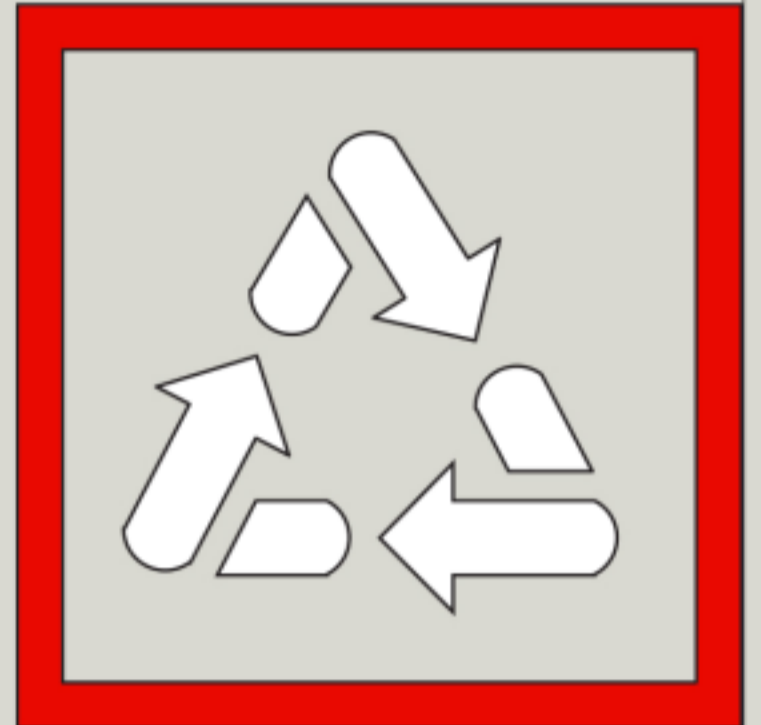
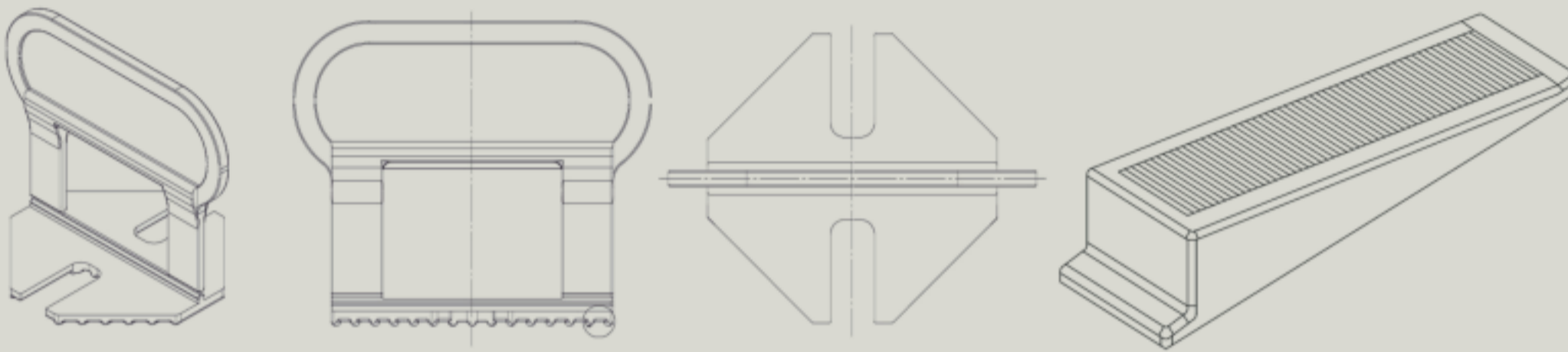
MORE PROFITABLE FOR INSTALLER  
INSTALLATION IS UP TO 3x FASTER  
CAN BE USED WITHOUT FLOOR PLIERS



**TILE LOCK**<sup>®</sup>  
FOR PROFESSIONALS  
[WWW.TLPRO.CO](http://WWW.TLPRO.CO)

CANADIAN DESIGN

**TILE LOCK** WAS DEVELOPED TO BRING A PERFECT INSTALLATION FOR ALL SURFACES COVERED WITH TILES. THIS SYSTEM ENSURES THAT YOUR TILE INSTALLATION WILL BE LEVELED WHILE LAYING TILES TAKES LESS TIME.

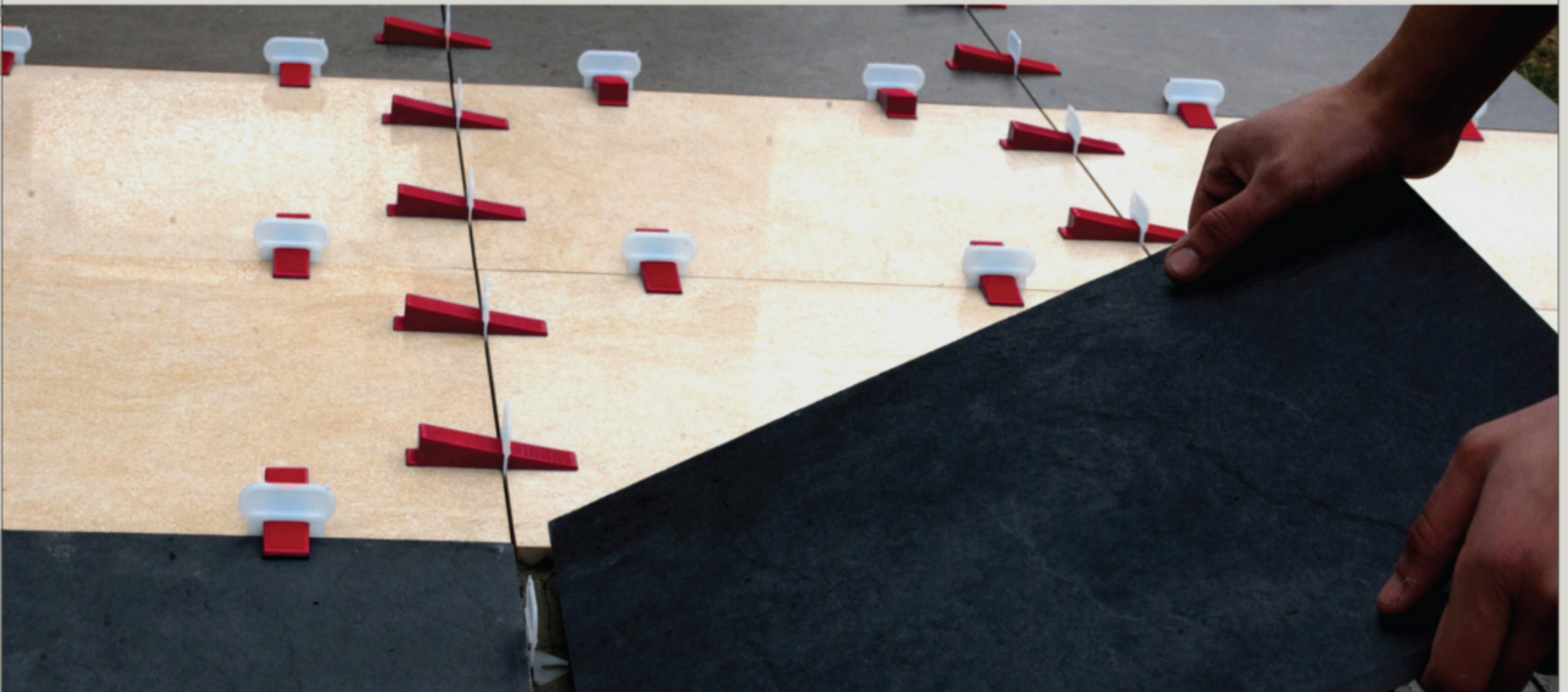


ECO FRIENDLY DESIGN

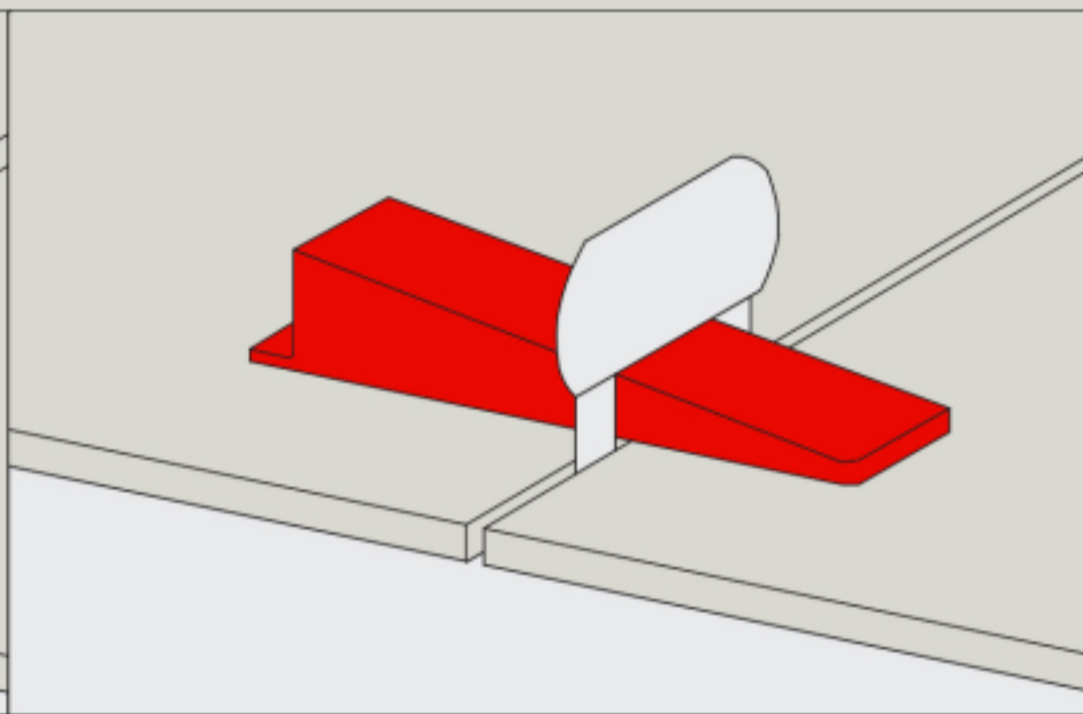
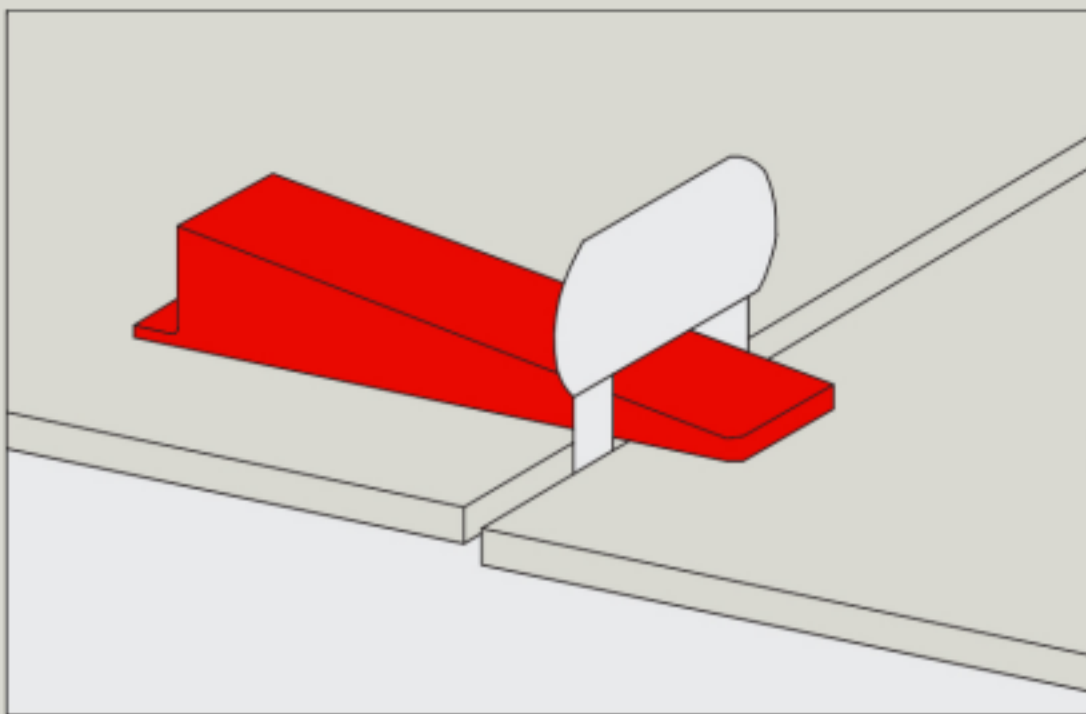
## TILE LOCK CLIPS PLIERS FREE

FOR THOSE WHO ARE UNCOMFORTABLE AROUND TOOLS ALL INSTALLATION CAN BE DONE WITH HANDS

DESIGNED BY **TILE LOCK**  
**CANADA** PRODUCED IN  
SERBIA. [WWW.TLPRO.CO](http://WWW.TLPRO.CO)



# TILE LOCK LEVELING SYSTEM



BEFORE

AFTER

CANADIAN DESIGN

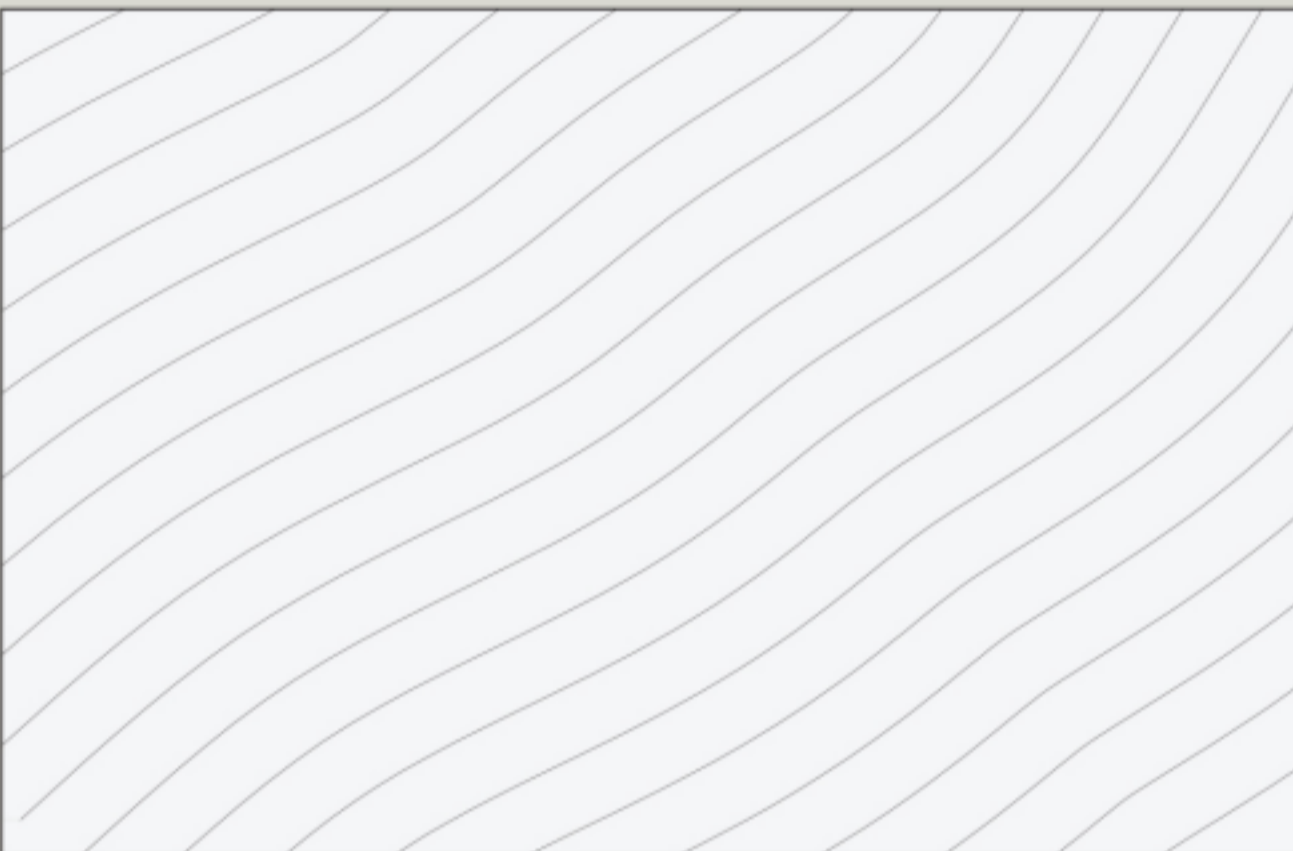
DESIGNED BY **TILE LOCK CANADA**

PRODUCED IN SERBIA.

WWW.TLPRO.CO

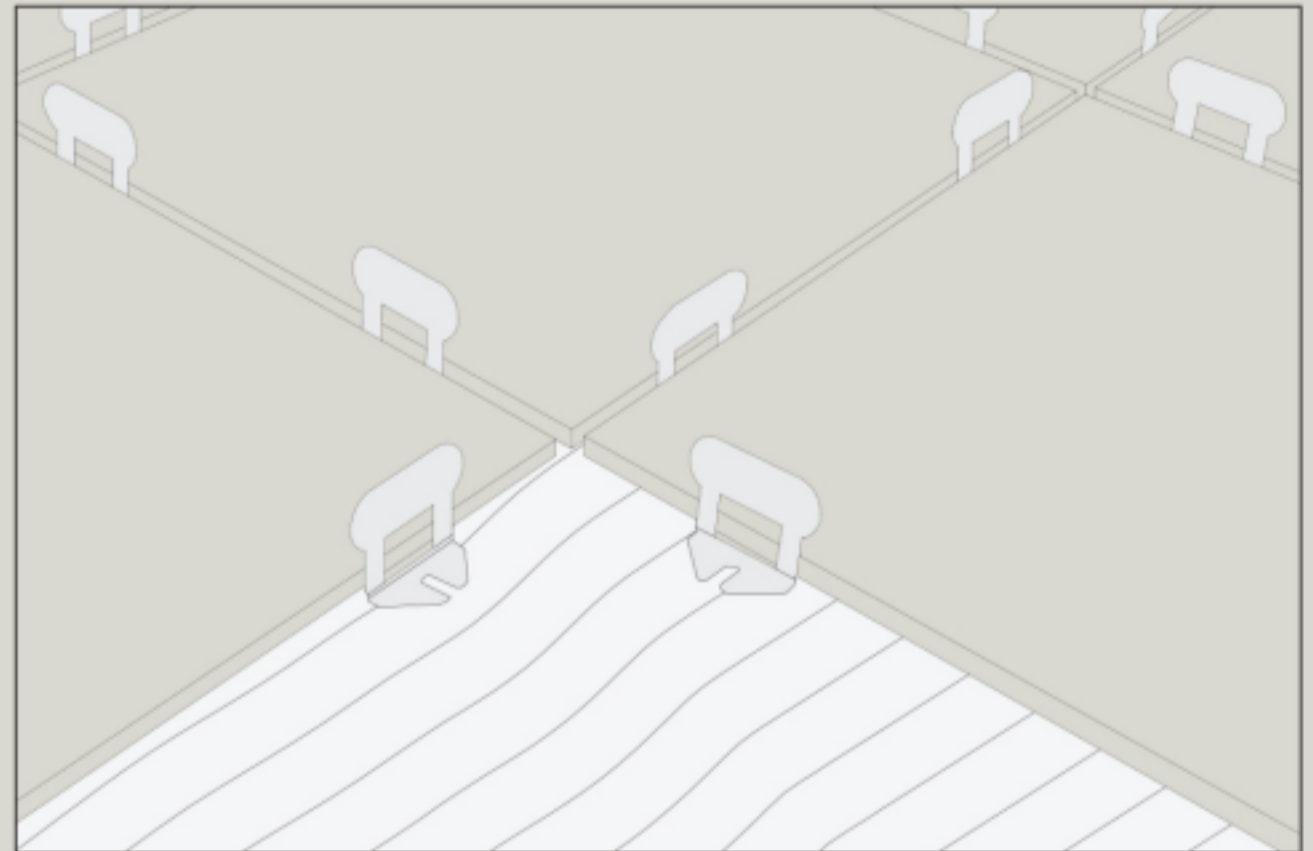
## HOW TO USE:

### STEP 1



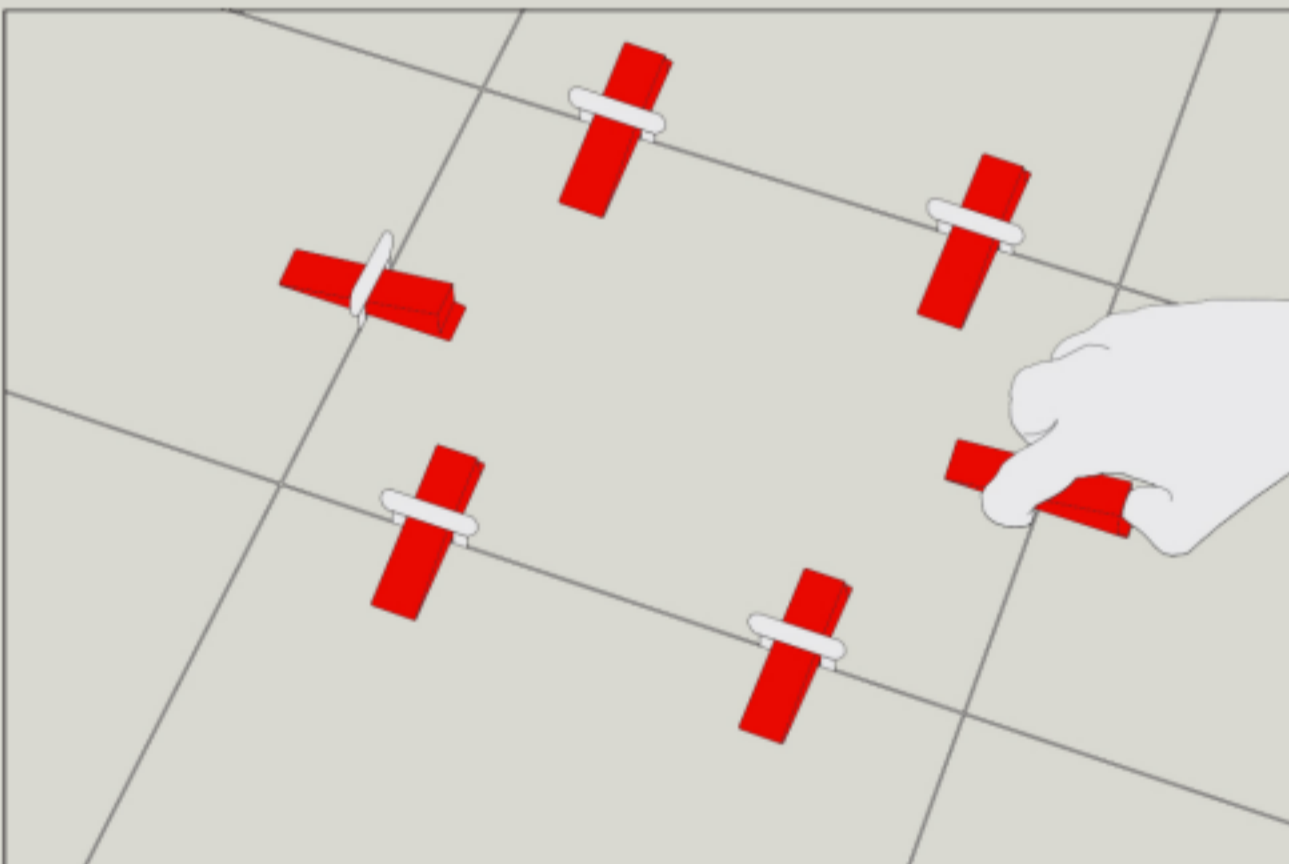
APPLY TILE ADHESIVE EVENLY ON SURFACE.

### STEP 2



PLACE TILES AND INSERT CLIPS. (SEE CONSUMMATION TABLE FOR RECOMMENDED AMOUNT OF CLIPS)

### STEP 3

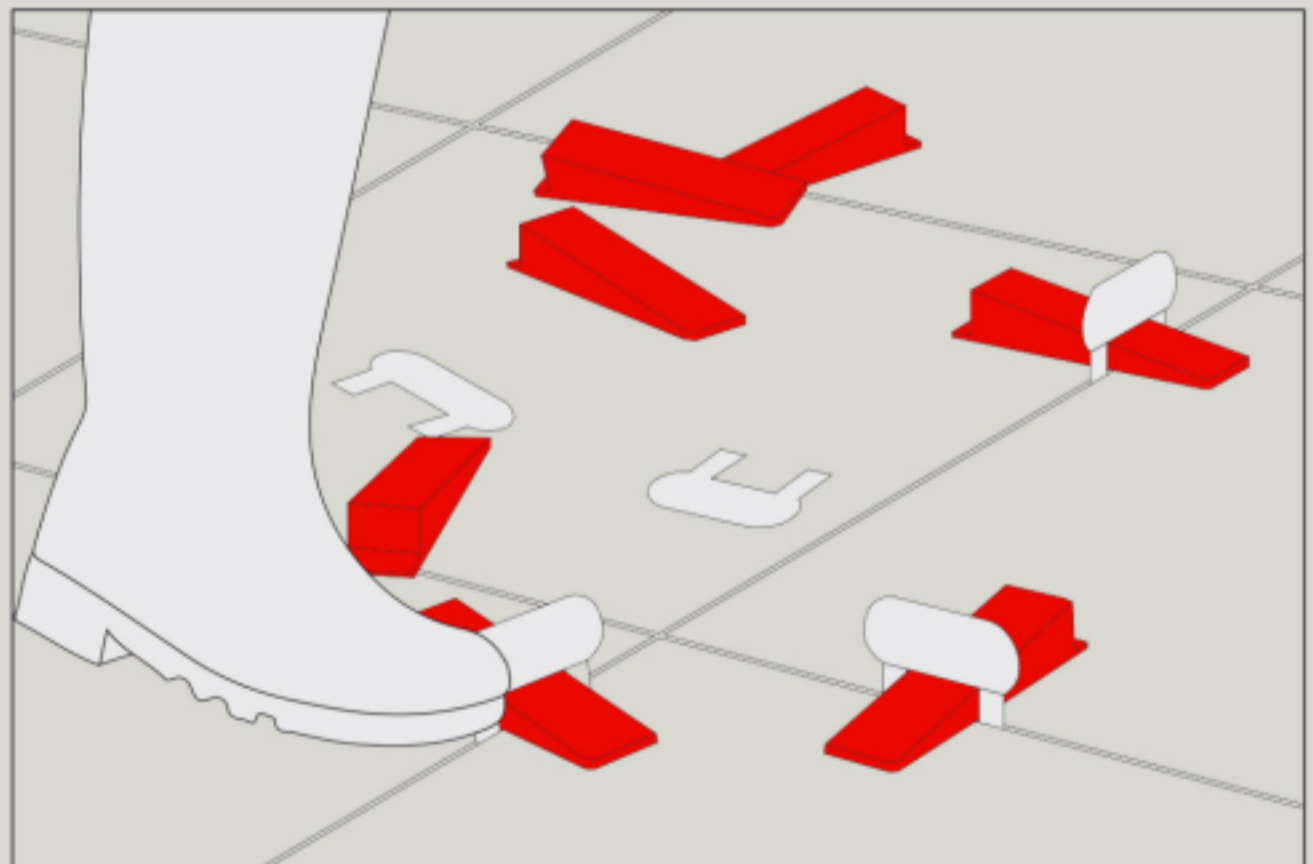


INSERT WEDGE INTO CLIP, PLACE THUMB ON BACK SIDE OF WEDGE AND PLACE MIDDLE AND FOREFINGERS ON CLIP.

PRESS WEDGE WITH THUMB THROUGH CLIP WHILE PULLING BACK WITH MIDDLE AND FOREFINGER UNTIL TILES LEVEL.

(FOR TILES LARGER THAN 60X60CM ITS RECOMMENDED TO USE LEVELING PLIERS).

### STEP 4



AFTER ADHESIVE DRIES, BREAK OF LOOSE ENDS WITH RUBBER HAMMER OR KICK OFF WITH BOOT.

# TILE LOCK LEVELING SYSTEM

